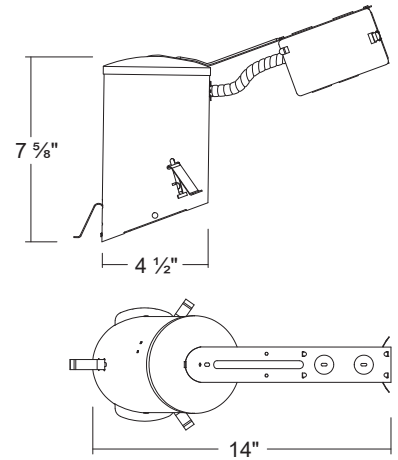


## LED490ICRA / LED490ICRA-01V

4" Slope IC Air-Tight LED Dedicatd Remodel Housing



### Dimensions



## SPECIFICATION

### Housing

- Designed for use in ceiling with slopes from 2/12 to 6/12

### Junction Box

- Listed for through branch circuit wiring
- Contains six 1/8" knockouts

### Remodel Clips

- Three remodel clips secure housing and accommodates 1/2" and 5/8" ceiling materials

### Listings

- cULus Listed for Damp Location
- cULus Listed for Feed Through
- Certified under ASTM-E283 for Air tight construction

## CONNECTOR

### LED490ICRA

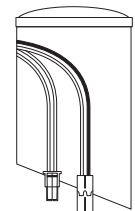
Triac Dimming Ver.



Ideal connector

### LED490ICRA-01V

0-10V Dimming Ver.



Molex connector Ideal connector

## ORDERING INFORMATION

Model No.	Dimming	Description
LED490ICRA	Triac Dimming	4" Slope IC Air-Tight Dedicated Remodel Housing
LED490ICRA-01V	0-10V Dimming	4" Slope IC Air-Tight Dedicated Remodel Housing

## COMPATIBLE TRIMS

### LED490ICRA

#### Model NO.

SLKT400  
SLKT403  
SLKT400-3CCT  
SLKT403-3CCT  
SLKT400-5CCT  
SLKT403-5CCT

#### Description

4 inch LED Slope Round Smooth Retrofit kit  
4 inch LED Slope Round Baffle Retrofit kit  
4 inch Selectable 3 CCT LED Slope Round Smooth Retrofit kit  
4 inch Selectable 3 CCT LED Slope Round Baffle Retrofit kit  
4 inch Selectable 5 CCT LED Slope Round Smooth Retrofit kit  
4 inch Selectable 5 CCT LED Slope Round Baffle Retrofit kit

### LED490ICRA-01V

#### Model NO.

SLKT400-5CCT-M  
SLKT403-5CCT-M

#### Description

4 inch Selectable 5 CCT LED Slope Round Smooth Retrofit kit  
4 inch Selectable 5 CCT LED Slope Round Baffle Retrofit kit